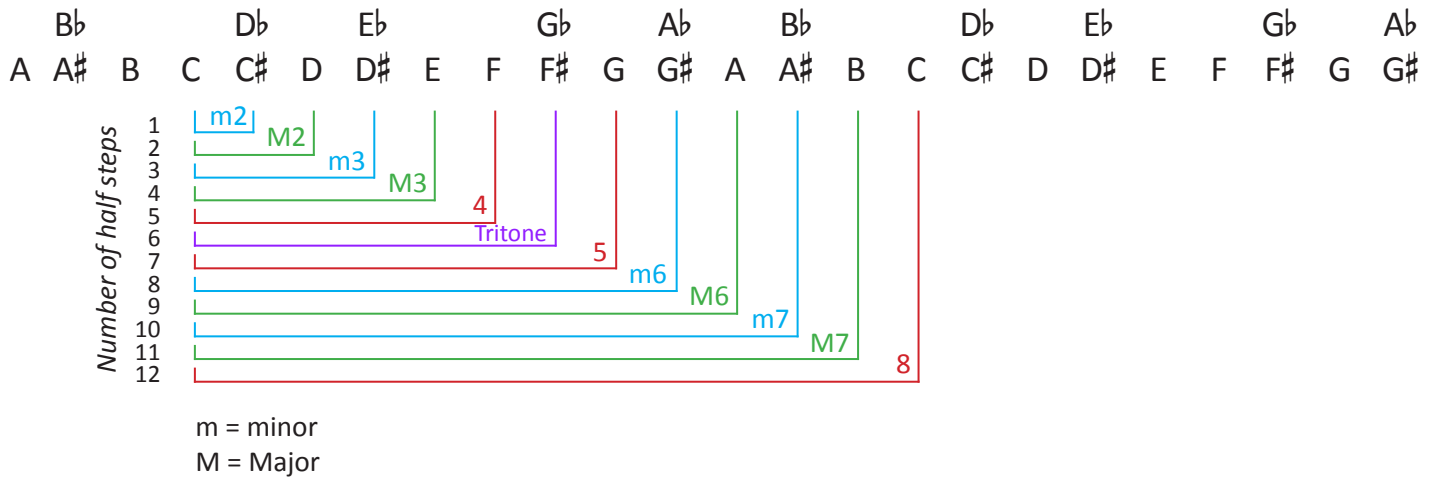
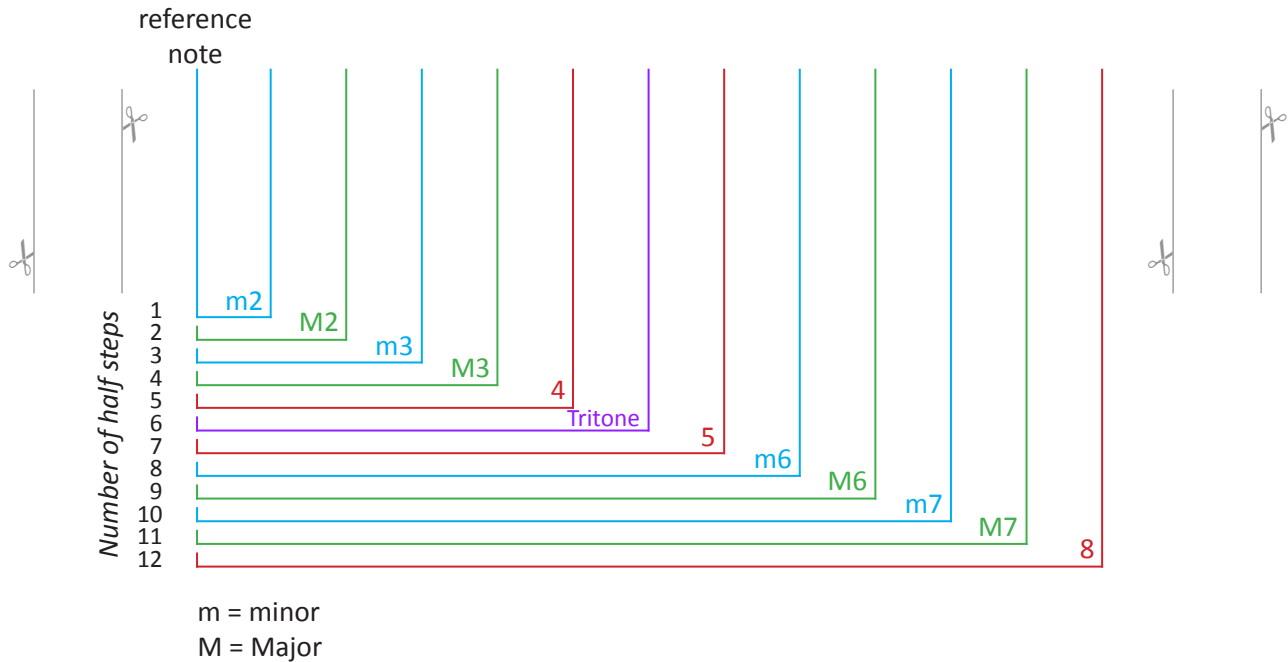


Kinesthetic intonation – summary chart



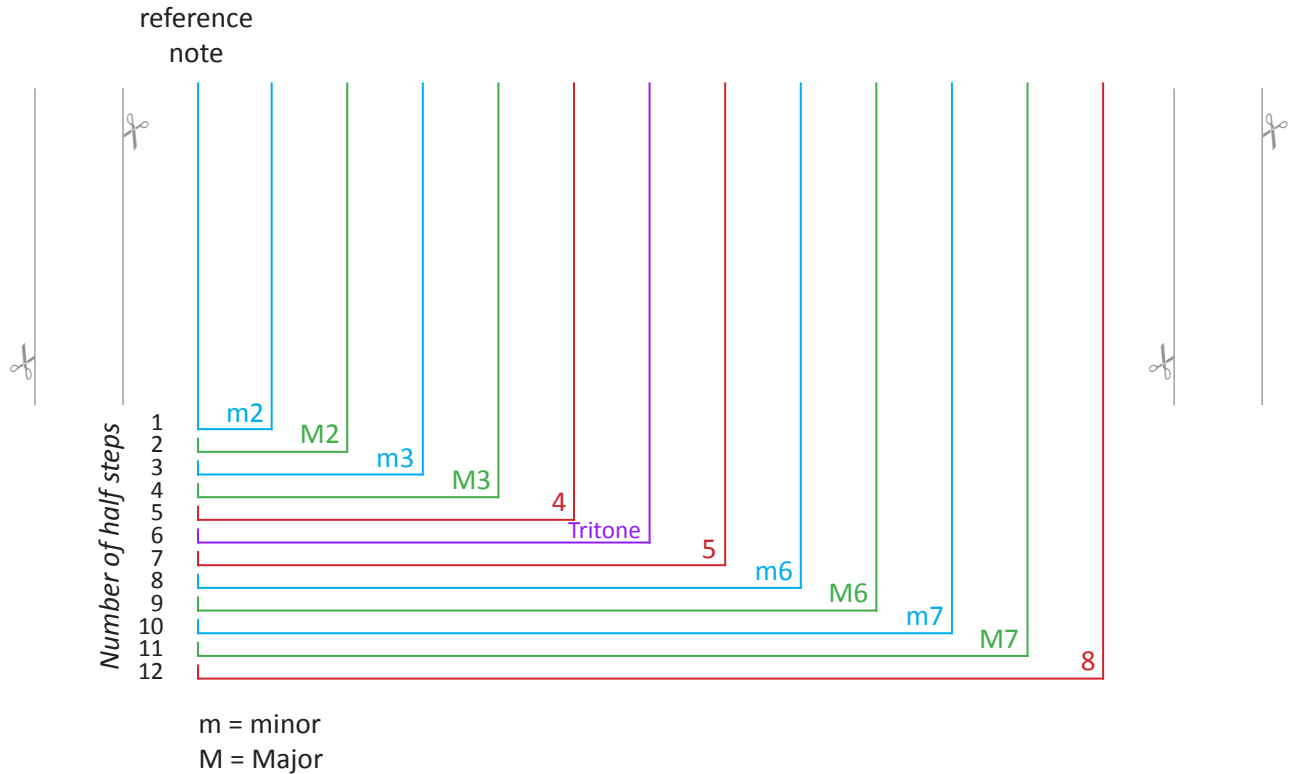
Finger position Spacing with indication of distance between the fingers measured in half steps		Same string	Higher finger on lower string	Higher finger on higher string
Adjacent fingers	1 x ½ (half step spacing)	m2	Tritone	m6
	2 x ½ (full step spacing)	M2	4	M6
1-3 or 2-4	3 x ½ (minor third spacing)	m3	M3	m7
	4 x ½ (major third spacing)	M3	m3	M7
1-4	5 x ½ (perfect fourth spacing)	4	M2	8
	6 x ½ (fourth extended)	Tritone	m2	(9)

Kinesthetic intonation – summary chart



Finger position		Same string	Higher finger on lower string	Higher finger on higher string
Adjacent fingers	1 x ½ (half step spacing)	m2	Tritone	m6
	2 x ½ (full step spacing)	M2	4	M6
1-3 or 2-4	3 x ½ (minor third spacing)	m3	M3	m7
	4 x ½ (major third spacing)	M3	m3	M7
1-4	5 x ½ (perfect fourth spacing)	4	M2	8
	6 x ½ (fourth extended)	Tritone	m2	(9)

Kinesthetic intonation – summary chart



Finger position		Same string	Higher finger on lower string	Higher finger on higher string
Adjacent fingers	1 x ½ (half step spacing)	m2	Tritone	m6
	2 x ½ (full step spacing)	M2	4	M6
1-3 or 2-4	3 x ½ (minor third spacing)	m3	M3	m7
	4 x ½ (major third spacing)	M3	m3	M7
1-4	5 x ½ (perfect fourth spacing)	4	M2	8
	6 x ½ (fourth extended)	Tritone	m2	(9)

✂

D ^b	E ^b	G ^b	A ^b	B ^b	D ^b	E ^b	G ^b	A ^b	B ^b															
C	C [#]	D	D [#]	E	F	F [#]	G	G [#]	A	A [#]	B	C	C [#]	D	D [#]	E	F	F [#]	G	G [#]	A	A [#]	B	C

✂

✂

C C[#]/D^b D D[#]/E^b E F F[#]/G^b G G[#]/A^b A A[#]/B^b B C C[#]/D^b D D[#]/E^b E F F[#]/G^b G G[#]/A^b A A[#]/B^b B C

✂

Cut along the grey lines, then insert the note strip into the slits on the previous pages. The smaller strip with notes names only fits on page 2, the wider one with the staff fits on page 3. Align the reference note (the lower note of the interval) with the first blue line to be able to see intervals as they relate to a this note.